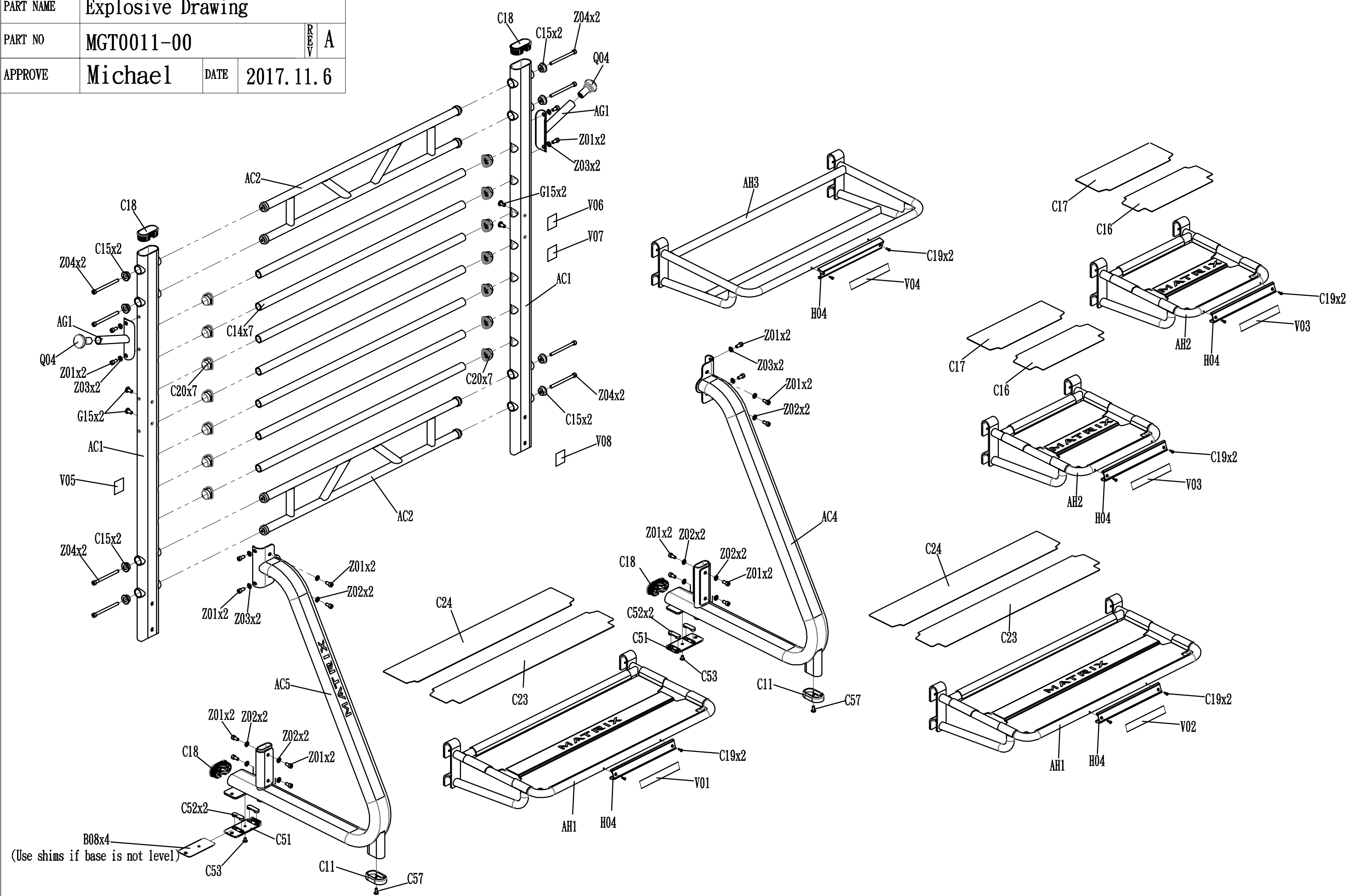


DRAWING NO	PGT09-KM		
PART NAME	Explosive Drawing		
PART NO	MGT0011-00	REV	A
APPROVE	Michael	DATE	2017.11.6



Reference Number	Part #	Description	Notes
AC1	1000416753	base set painting Black Matte GT09-KM	
AC2	1000416763	base connect set painting Black Matte	
AC4	1000416755	Support Rack Set L painting Black Matt	
AC5	1000416757	Support Rack Set R painting Black Matt	
AG1	1000416759	Hook Set painting Black Matte GT09-KM	
AH1	1000401766	Support Frame D painting Black Matte G	
AH2	1000401772	Support Frame M painting Black Matte G	
AH3	1000401773	Support Frame U painting Black Matte G	
B08	1000382110	Shim Adjust PP GM102	
C11	000514-C	Foot pad Tube Rubber GM07	
C14	1000416761	ConnectingTube Base Seat painting Blac	
C15	1000405773	Connet Base FRAME 20# Chrome GT09-KM	
C16	1000405782	Rubber Pad Support Plate Front-Up SBR	
C17	1000405783	Rubber Pad Support Plate Rear-Up SBR G	
C18	1000371560	Cap Elliptical TPU Diam.50.0xDiam.100.	
C19	1000097408	Screw SH M5X0.8PX12L HS G8.8 CHM	
C20	1000405798	Plastic Sleeve Connect Rod PE GT09-KM	
C23	1000405779	Rubber Pad Support Plate Down-Front SBR	
C24	1000405781	Rubber Pad Support Plate Down-Rear SBR	
C51	1000303546	Plastic Pad Foot Pad - PP BL427	
C52	1000233200	PLASTIC COVER NBR BL	
C53	004694-00	Screw TH M8X1.25PX10L Hex Socket Chrom	
C57	1000102893	Screw Hex Socket Flat M8x1.25Px20L Cr PI	
G15	1000362717	Cap PVC BL/Black C GT01	
H04	1000401786	Seat Position Indicator Side Plate PVC	
Not Shown	1000401759	Hardware Set Semi-Assy GT09-KM	
Q04	1000351484	End Cap TPU Gray/80435 GT04-KM	
V01	1000405778	Direction Label GT09-KM	
V02	1000408448	Direction Label Location 2 GT09-KM	
V03	1000408449	Direction Label Location 3 GT09-KM	
V04	1000408450	Direction Label Location 4 GT09-KM	
V05	1000409109	Direction Label Weight Limit GT09-K	
V06	1000409114	Direction Label Warning GT09-KM	

V07	1000409119	Warning Label English GT09-KM	
V08	1000409124	EN LABEL GT09-KM	
Z01	049256-AB	Screw Hex Socket Round M10x1.5Px20L Cr	
Z02	005062-00	Washer Flat 10.2x19x2.0T Chromed	
Z03	005173-ZA	Washer Arc 10.5x20.0x2.0T	
Z04	020117-AD	SCREW SH M10X1.5PX125L HS CHM	
Z03	005173-A	WASHER ARC Diam.10.5XDiam.20.0X2.0T	Discontinued